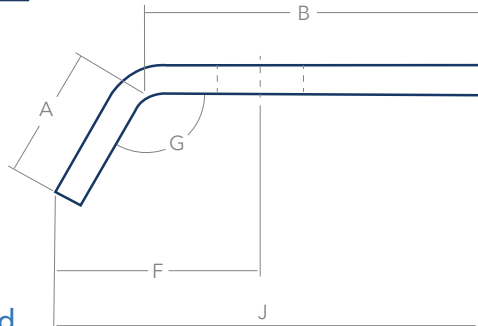


# TENSION RAILS

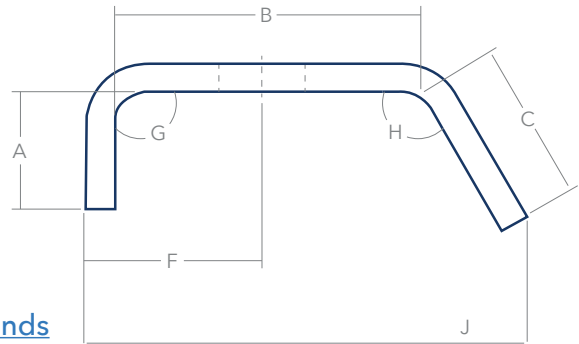
Date: \_\_\_\_\_ Salesperson: \_\_\_\_\_

Customer Name: \_\_\_\_\_ Customer Site: \_\_\_\_\_

## Profile View

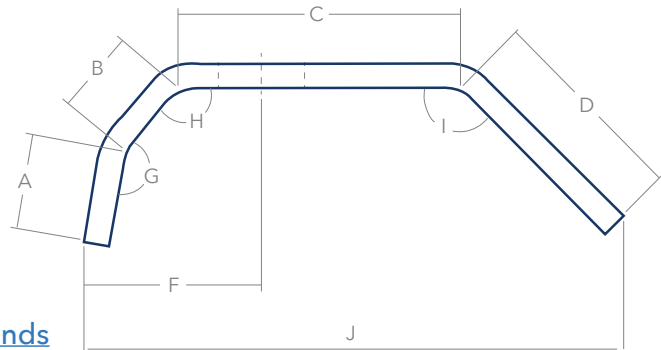


**1 Bend**



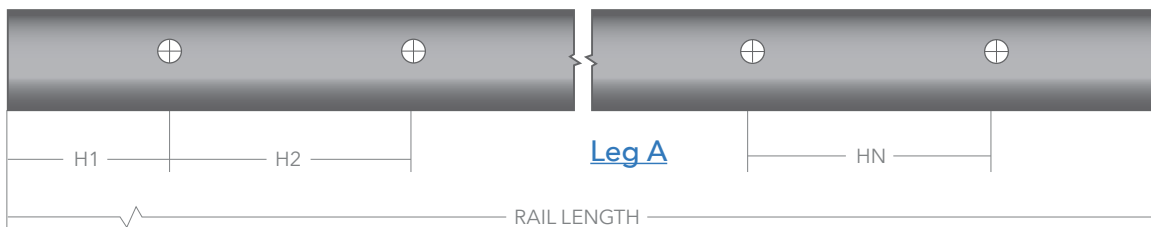
**2 Bends**

Leg A is installed in screen hook  
(left side in all profile view images)



**3 Bends**

## Top View



**Leg A**

N= Number of holes  
Top edge in "Top View" represents leg A that goes in screen hook.  
Bends in rail are angled down (into page).

Profile View: A \_\_\_\_\_ B \_\_\_\_\_ C \_\_\_\_\_ D \_\_\_\_\_ F \_\_\_\_\_ G \_\_\_\_\_ H \_\_\_\_\_ I \_\_\_\_\_ J \_\_\_\_\_

Top View: H1 \_\_\_\_\_ H2 \_\_\_\_\_ H3 \_\_\_\_\_ H4 \_\_\_\_\_ H5 \_\_\_\_\_ H6 \_\_\_\_\_ H7 \_\_\_\_\_ H8 \_\_\_\_\_

Rail Length: \_\_\_\_\_ Plate Thickness: \_\_\_\_\_ Hole Size: \_\_\_\_\_ X \_\_\_\_\_

Hole Type (s=square, c=circle, r=rectangular, o=oblong): \_\_\_\_\_

For oblong holes, first number is the dimension perpendicular to length of rail, second number is the dimension parallel to length to rail.