

SQUARE MESH SCREENS

Date: _____ Salesperson: _____

Customer Name: _____ Customer Site: _____

NEW PRODUCT SPECIFICATIONS

Wire Diameter: _____ Opening: _____

Wire Material: Gator Stainless Side or End Tensioned: _____

Lap Required?: Yes No If yes, please give lap length: _____

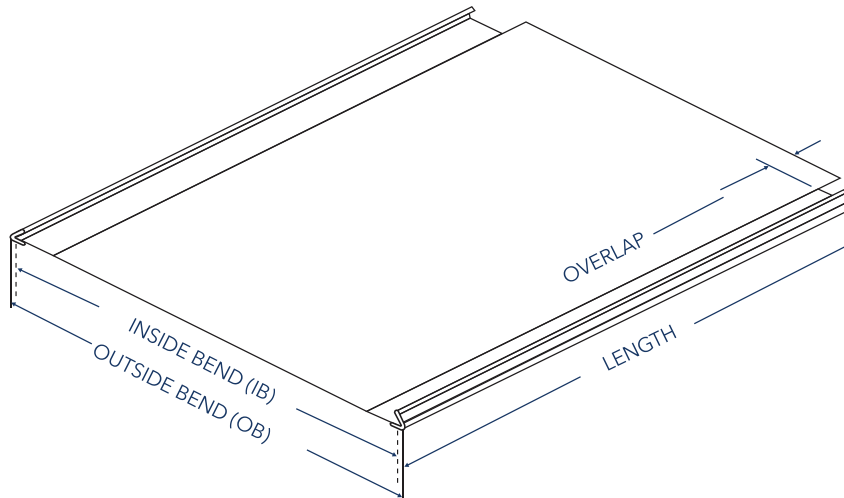
Specify which deck: Top Middle Bottom

WEAVE TYPE

Panel Dimensions: _____ Width/Bend: _____ OB IB Length: _____

Choose one: Square Mesh (standard square openings)

Flat Surface (standard square openings with one side of panel flat)



HOOK SPECIFICATIONS

