



Buffalo Wire Works

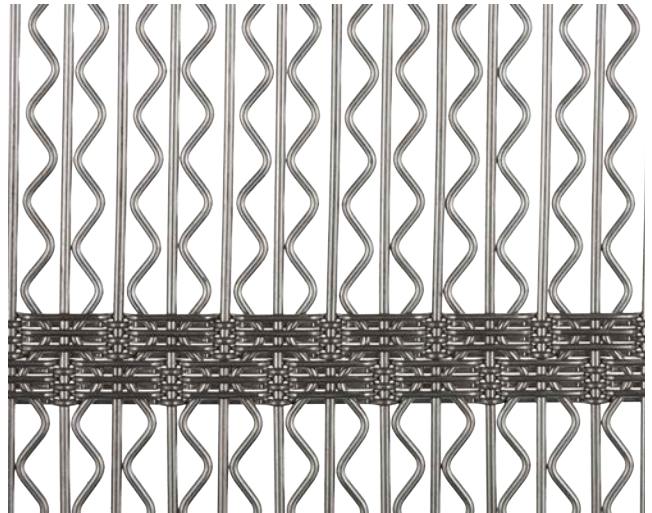
Est. 1869

Crushing | Sizing | Conveying

Clean Weave

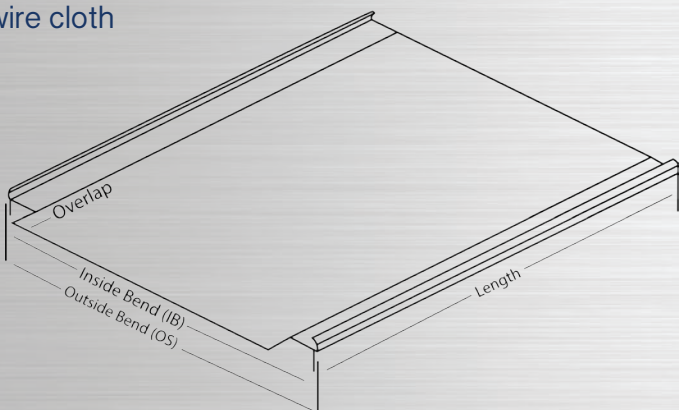
Clean Weave is a self-cleaning screen made to increase screening efficiency and lifespan. Superior quality and longer life reduces the amount of change outs; saving you time and money.

Clean Weave is most efficient in the screening and sizing of sand, gravel, coal, topsoil, crushed stone, blasted rock and compost.



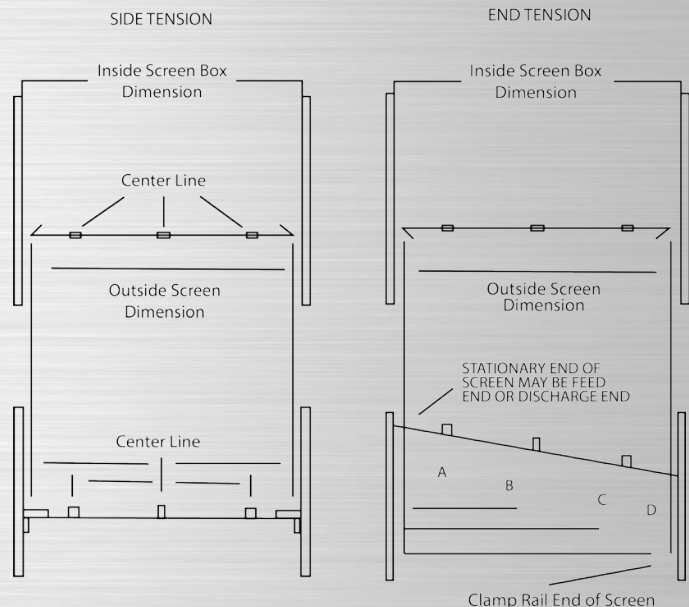
Attributes

- Anti-blinding and pegging
- Ideal for many spec applications including hot asphalt screening
- Available in a variety of openings to meet your specific needs
- Experience increased screen life over standard wire cloth



Measuring Requirements

- Measure the inside dimension of screen box
- Measure and mark center line
- Measure and mark crown support bars from center line



716.826.4666



716.826.8271



info@buffalowire.com



www.buffalowire.com

